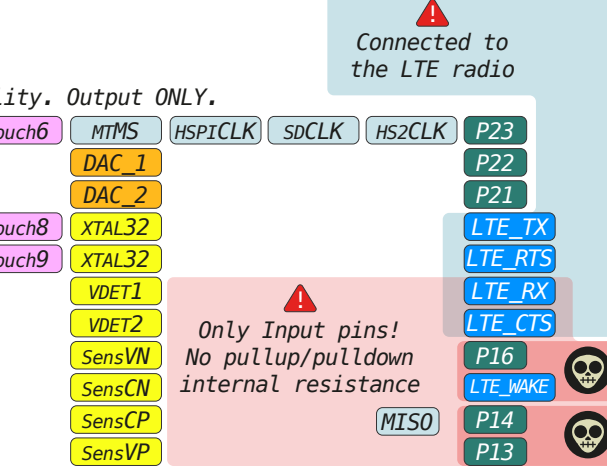
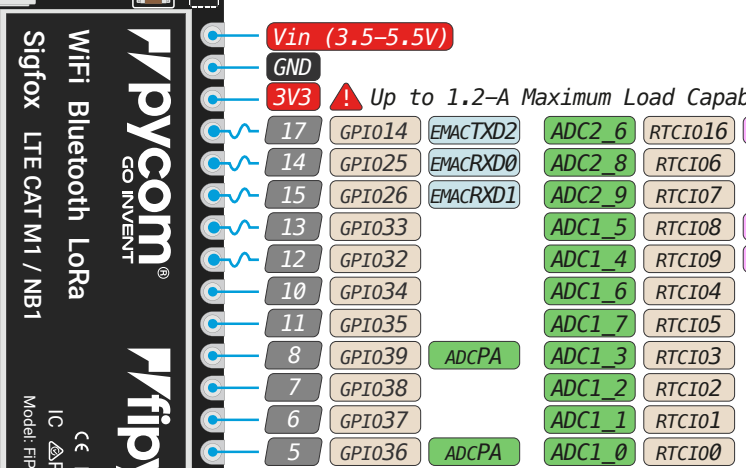
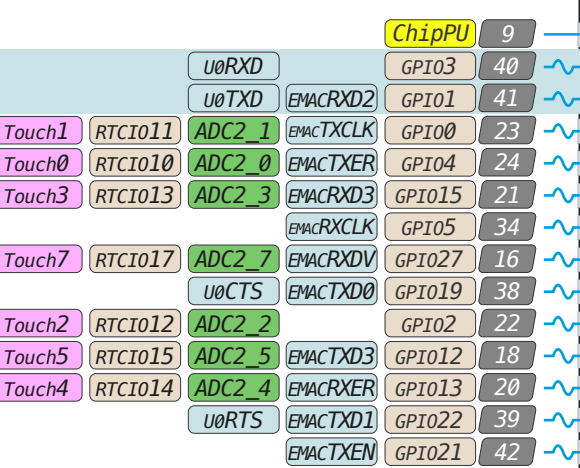
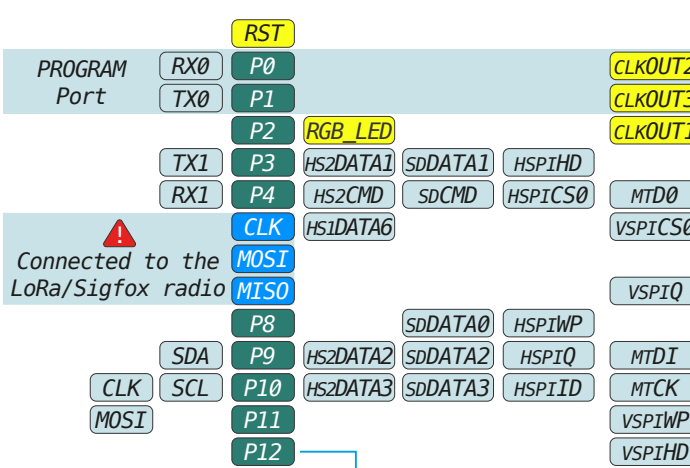
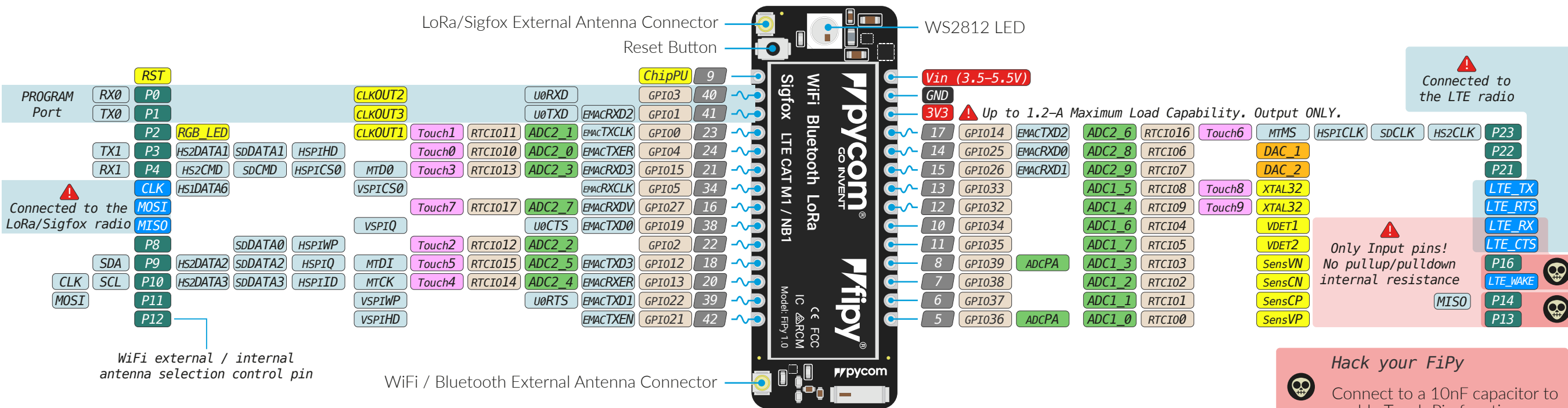


⚠ Absolute MAX per pin 12mA recommended 6mA



Connected to the LoRa/Sigfox radio

WiFi external / internal antenna selection control pin

WiFi / Bluetooth External Antenna Connector

⚠ Connected to the LTE radio

⚠ Only Input pins! No pullup/pulldown internal resistance

⚠ Hack your FiPy
Connect to a 10nF capacitor to enable Touch Pin function

- Power
- GND
- Serial Pin
- Analog Pin
- Control
- Physical Pin
- Port Pin
- Touch Pin
- DAC Pin
- ~ PWM Pin

Low Level Bootloader

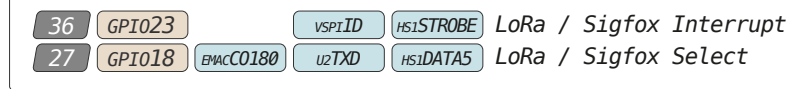
■ P2 + ■ GND

Boot modes and safe boot

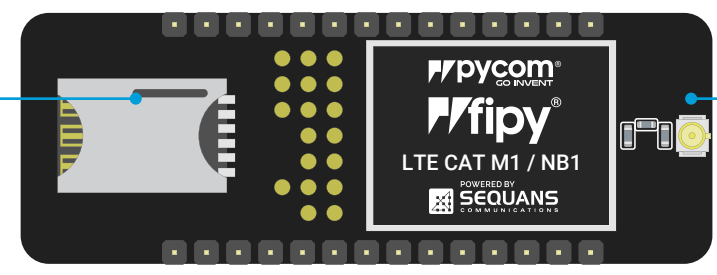
■ P12 + ■ 3V3

- 1-3 sec Safe boot, latest firmware is selected
- 4-6 sec Safe boot, previous user update selected
- 7-9 sec Safe boot, the factory firmware is selected

Internal Functions



Nano SIM card socket



LTE antenna connector